

SANYO**LA6537M****4-channel Bridge Driver
for CD and CD-ROMs****Overview**

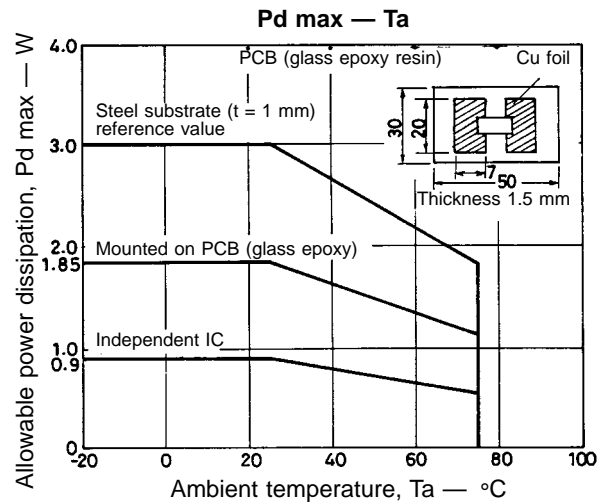
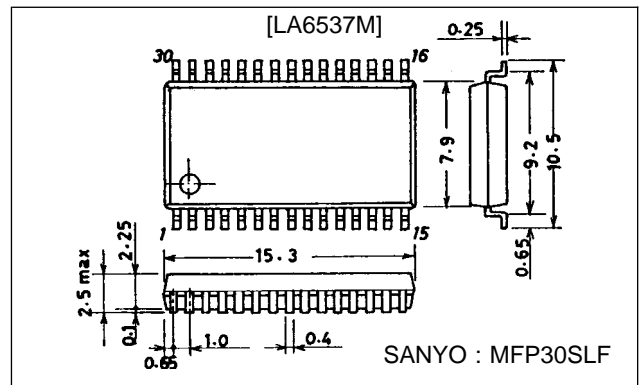
The LA6537M is a 4-channel bridge (BTL) driver which was developed for compact discs and CD-ROMs.

Features and Functions

- 4-channel bridge (BTL) power amplifier.
- I_O max 700 mA.
- With mute circuit (Amp 3, Amp 4).

Package Dimensions

unit : mm

3073A-MFP30SLF**Specifications****Maximum Ratings at Ta = 25 °C**

Parameter	Symbol	Conditions	Ratings	Unit
Maximum supply voltage	$V_{CC \text{ max}}$		14	V
Maximum input voltage	V_{INB}		13	V
Mute pin voltage	V_M		13	V
Allowable power dissipation	$P_d \text{ max}$	* Mounted on PCB shown below	0.9	W
Operating temperature	T_{opr}		-20 to +75	°C
Storage temperature	T_{stg}		-55 to +150	°C

* PCB (20 × 30 × 1.5 mm glass epoxy resin)

SANYO Electric Co., Ltd. Semiconductor Business Headquarters

TOKYO OFFICE Tokyo Bldg., 1-10, 1 Chome, Ueno, Taito-ku, TOKYO, 110 JAPAN

92995HA(II) No.5231-1/4

LA6537M

Operating Conditions at Ta = 25 °C

Parameter	Symbol	Conditions	Ratings	Unit
Recommended supply voltage	V _{CC}		4 to 13	V

Electrical Characteristics at Ta = 25 °C, V_{CC} = 7.5 V

Parameter	Symbol	Conditions	min	typ	max	Unit
No-load current drain	I _{CC1}	Note 1	20	40	60	mA
	I _{CC2}	Note 2		26	60	mA
Output offset voltage	V _{OF1}	Note 3, amplifiers 1 — 2, 7 — 8	-50		+50	mV
	V _{OF2}	Note 3, amplifiers 3 — 4, 5 — 6	-50		+50	mV
Input bias current	I _B			100	500	nA
Buffer input voltage range	V _{BIN}		1.5	V _{CC} - 1.5		V
Input voltage range	V _{IN}		1.0	V _{CC} - 1.5		V
Output source voltage	V _{O1}	Note 4, R _L = 8.0 Ω	5.0	5.6		V
Output sink voltage	V _{O2}	Note 5, R _L = 8.0 Ω		1.8	2.4	V
Closed-circuit voltage gain	V _G	Bridge amplifier		12		dB
Slew rate	SR			0.15		V/μs
Mute on voltage	V _M	Note 6		2		V
Mute pin inflow current	I _M	Note 6		60		μA

Notes:

1. Mute off and buffer in assume 1/2 V_{CC} V.
2. Mute off and buffer in assume 0.5 V.
3. Represents the interoutput difference.
4. Voltage relative to ground (source) when an 8 Ω load is connected between bridge amplifier outputs.
5. Voltage relative to ground (sink) when an 8 Ω load is connected between bridge amplifier outputs.
6. Muting is activated when high, and the amplifier outputs 3 and 4 are off.

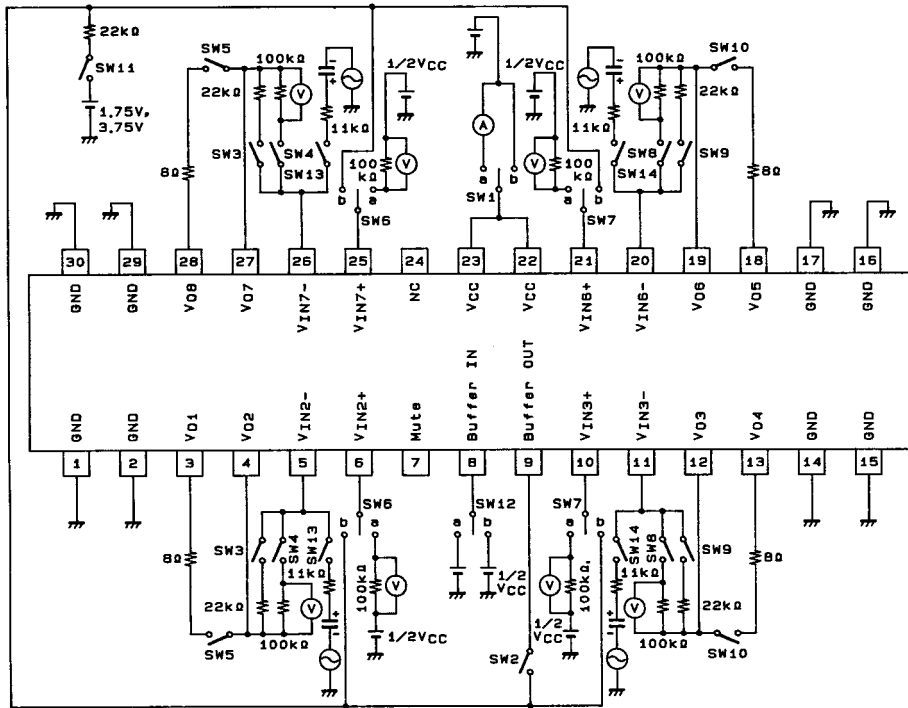
Test Method

SW No.	1	2	3	4	5	6	7	8	9	10	11	12	13	14
I _{CC1}	a	ON	ON	OFF	OFF	b	b	OFF	ON	OFF	OFF	b	OFF	OFF
I _{CC2}	a	ON	ON	OFF	OFF	b	b	OFF	ON	OFF	OFF	a	OFF	OFF
V _{OF1,2}	b	ON	ON	OFF	OFF	b	b	OFF	ON	OFF	OFF	b	OFF	OFF
I _B	b	OFF	OFF	ON	OFF	a	a	ON	OFF	OFF	OFF	b	OFF	OFF
V _{O1}	b	OFF	ON	OFF	ON	b	a	OFF	OFF	OFF	ON	b	OFF	OFF
V _{O2}	b	OFF	OFF	OFF	OFF	a	b	OFF	ON	ON	ON	b	OFF	OFF
V _M	b	ON	ON	OFF	OFF	b	b	OFF	ON	OFF	OFF	b	OFF	OFF
I _M	b	ON	ON	OFF	OFF	b	b	OFF	ON	OFF	OFF	b	OFF	OFF
V _G	b	ON	ON	OFF	OFF	b	b	OFF	ON	OFF	OFF	b	ON	ON

1. For I_{CC1} and 2, measure the inflow current on the V_{CC} pin.
2. For V_{OF1} and 2, measure the voltage between pins 3 and 4 (amplifiers 1 and 2), pins 27 and 28 (amplifiers 7 and 8), pins 12 and 13 (amplifiers 3 and 4), and pins 18 and 19 (amplifiers 5 and 6).
3. For I_B, measure the voltage across the 100 kΩ resistor (I_B = V/100 kΩ).
4. For V_{O1} and 2, measure each output voltage at input voltages 1.75 V and 5.75 V, respectively.
5. V_M is the mute pin (pin 7) voltage when the output goes off.
6. I_M is the mute pin (pin 7) inflow current when the output goes off.
7. For V_G, measure the voltage between pins 3 and 4 (amplifiers 1 and 2), pins 27 and 28 (amplifiers 7 and 8), pins 12 and 13 (amplifiers 3 and 4), and pins 18 and 19 (amplifiers 5 and 6) at f = 1 kHz, and use the following formula:
V_G = 20 log V_O/V_I dB.

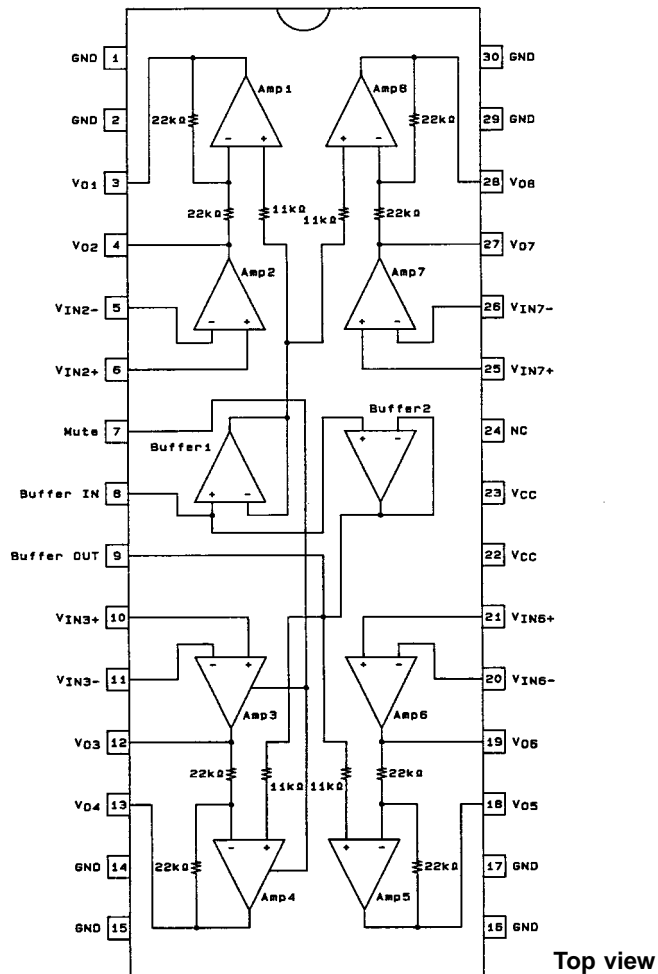
LA6537M

Test Circuit



A04481

Block Diagram and Pin Assignment

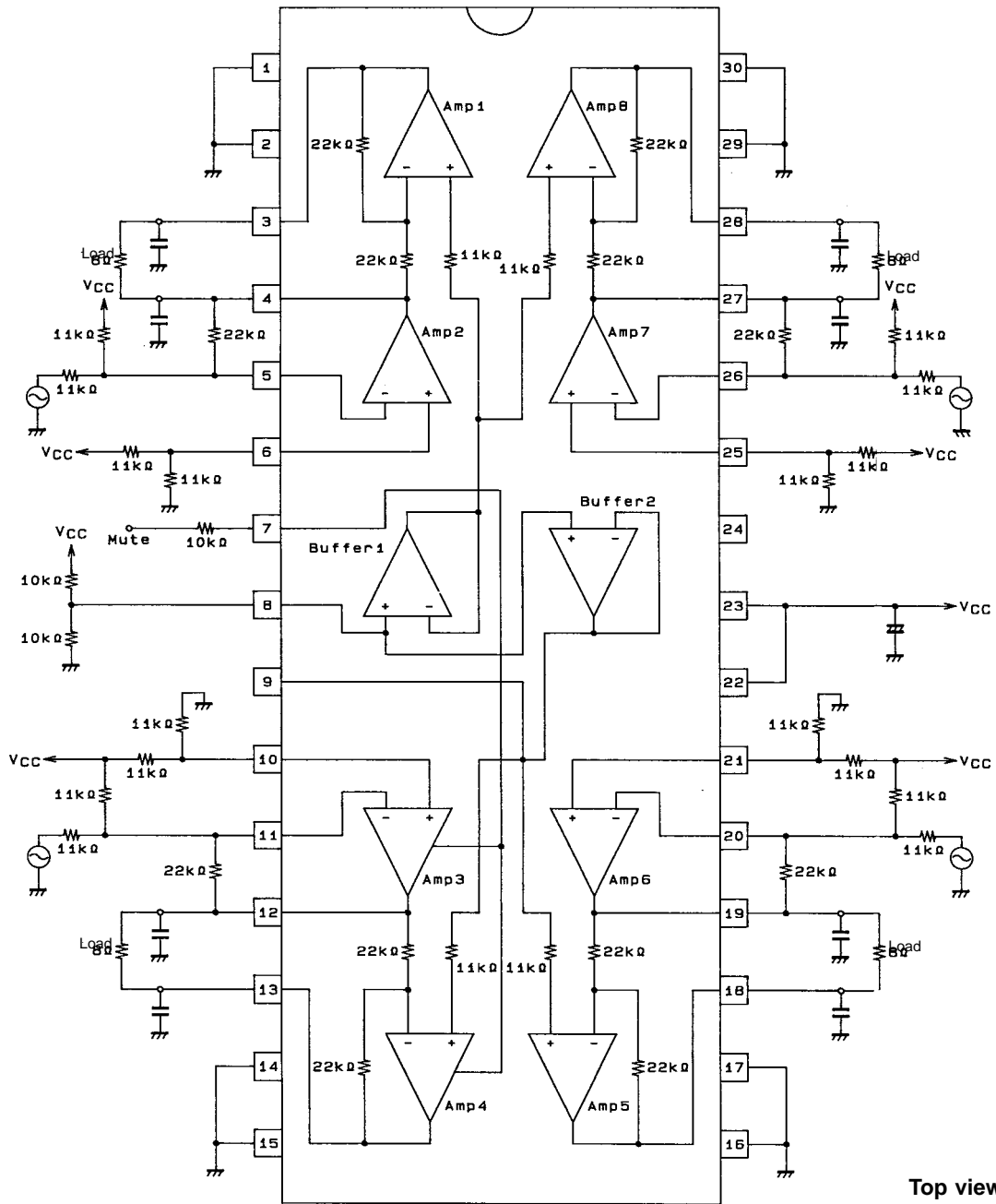


Top view

Do not use the NC pin.

A04482

Sample Application Circuit



Top view

A04483

- No products described or contained herein are intended for use in surgical implants, life-support systems, aerospace equipment, nuclear power control systems, vehicles, disaster/crime-prevention equipment and the like, the failure of which may directly or indirectly cause injury, death or property loss.
- Anyone purchasing any products described or contained herein for an above-mentioned use shall:
 - ① Accept full responsibility and indemnify and defend SANYO ELECTRIC CO., LTD., its affiliates, subsidiaries and distributors and all their officers and employees, jointly and severally, against any and all claims and litigation and all damages, cost and expenses associated with such use:
 - ② Not impose any responsibility for any fault or negligence which may be cited in any such claim or litigation on SANYO ELECTRIC CO., LTD., its affiliates, subsidiaries and distributors or any of their officers and employees jointly or severally.
- Information (including circuit diagrams and circuit parameters) herein is for example only; it is not guaranteed for volume production. SANYO believes information herein is accurate and reliable, but no guarantees are made or implied regarding its use or any infringements of intellectual property rights or other rights of third parties.

This catalog provides information as of September, 1995. Specifications and information herein are subject to change without notice.